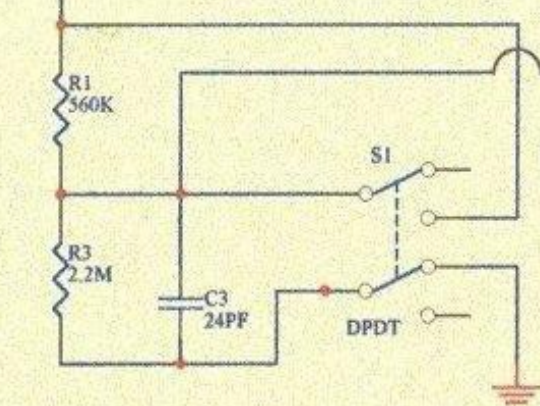
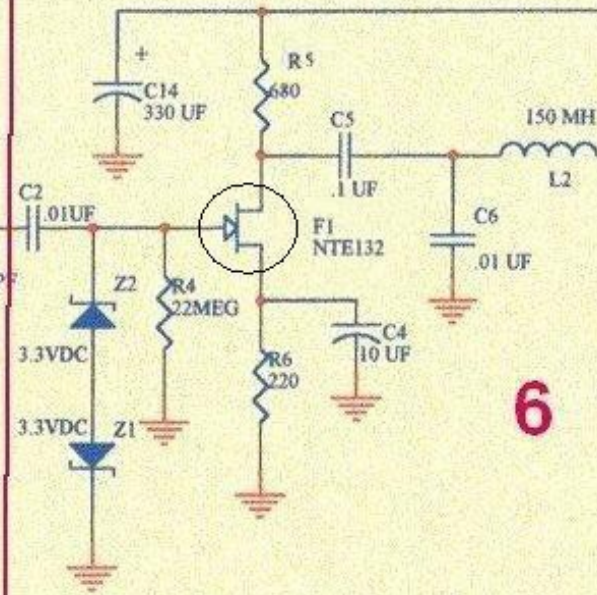


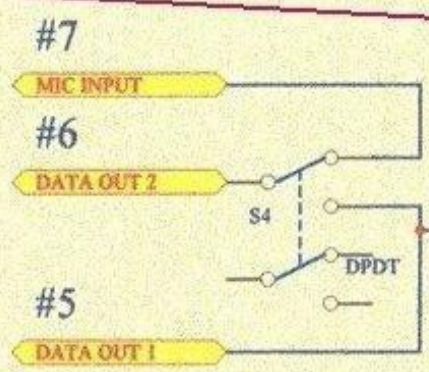
ANTENNA



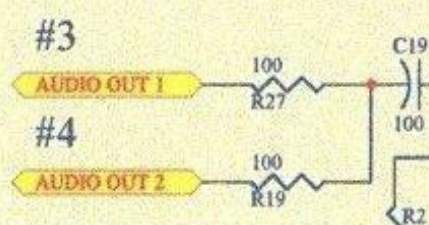
7



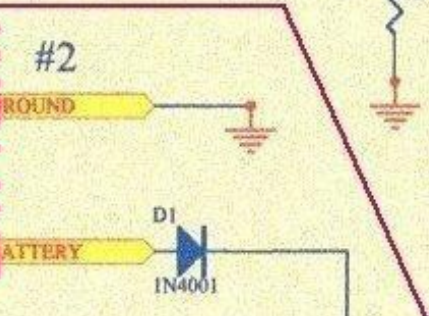
6



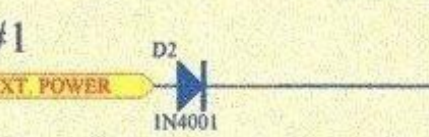
8



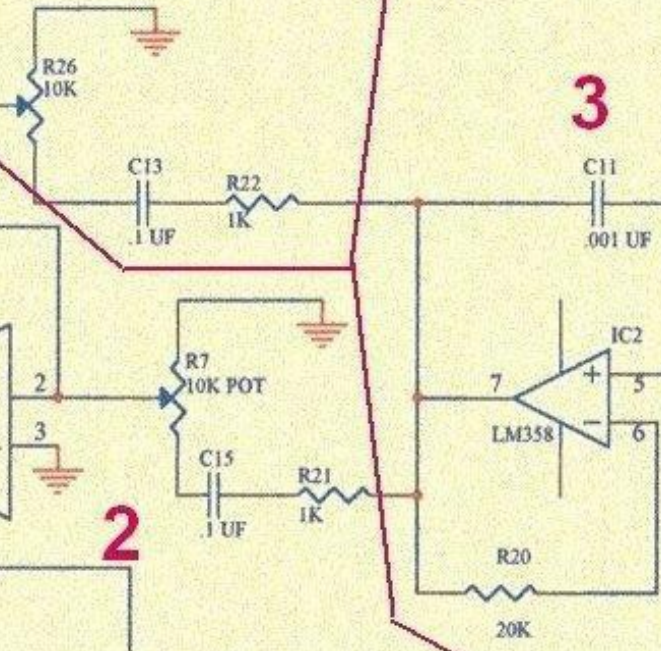
2



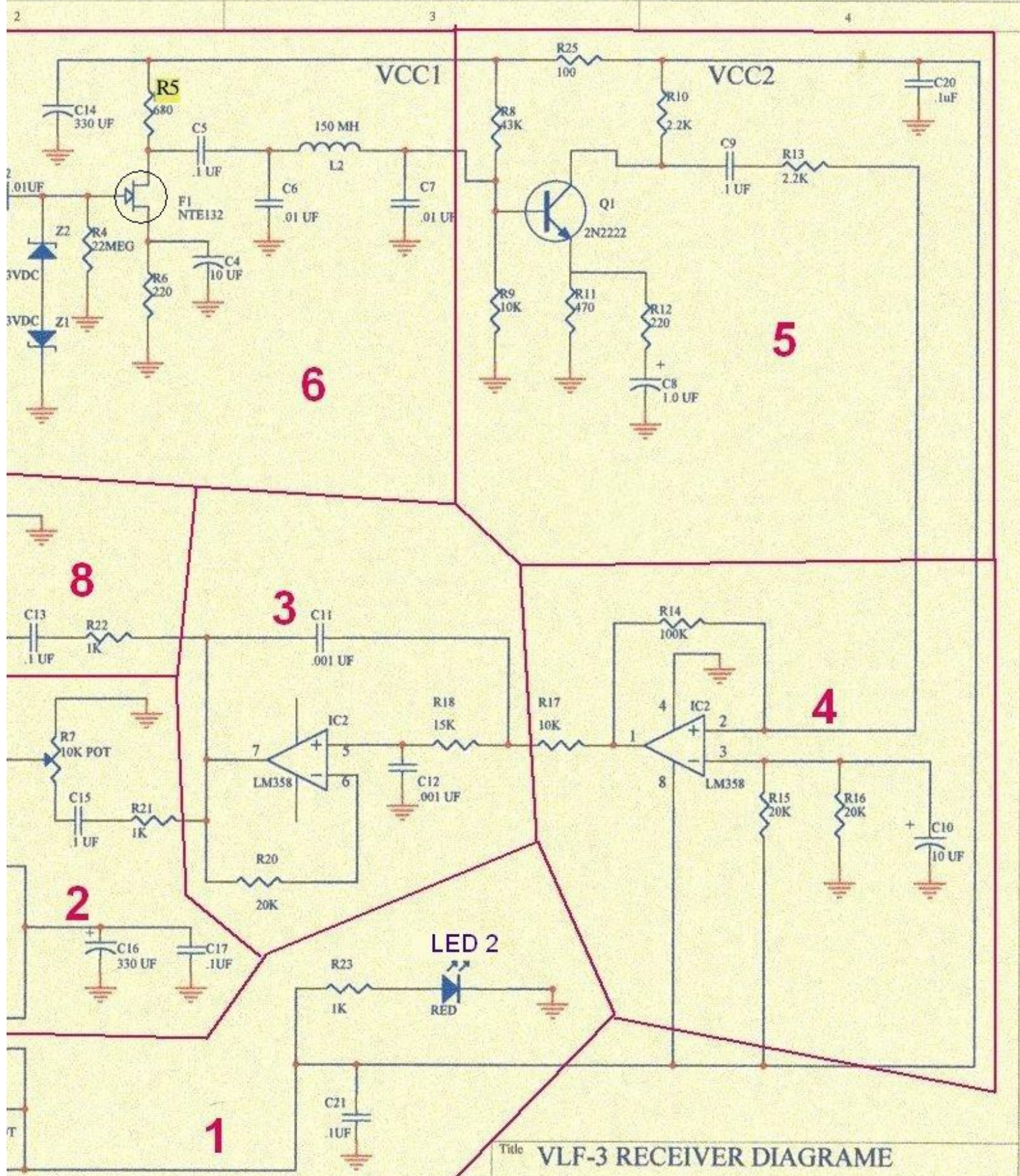
BATTERY



1



3



Title VLF-3 RECEIVER DIAGRAM		
Size	Number VLF-3-1A	Revision 1B
Letter		
Date:	18-Sep-2002	Sheet of
File:	C:\LABORATORY SERVICES\NASA INS...ES\VLF-3 Layout.Ddb	